

# Placement Test for Singapore Primary Mathematics 5A

1. Use the digits 1, 6, 4, 3, 9, 2, 1
- (a) Arrange these digits to make the greatest possible number. [2]

\_\_\_\_\_

- (b) Write the number in words. [2]

\_\_\_\_\_

2. Estimate the value of
- (a)  $6490 + 4993 \approx$  \_\_\_\_\_ [2]

- (b)  $3721 \div 4 \approx$  \_\_\_\_\_ [2]

- (c)  $4923 \times 7 \approx$  \_\_\_\_\_ [2]

3. Find the value of
- (a)  $6 + 2 \times 24 \div 8 - 12 =$  \_\_\_\_\_ [2]

- (b)  $48 \div (10 - 4) \times 100 =$  \_\_\_\_\_ [2]

- (c)  $12 + (10 + 2) \div (6 \times 2) - 3 =$  \_\_\_\_\_ [2]

Copyright © 2001 [SingaporeMath.com Inc.] All rights reserved.

This assessment test and answer key may be printed out and used by individuals at no cost. They may not be copied or incorporated into any other document. Please see legal (<http://www.singaporemath.com/terms.asp>) for more information.

4. Solve.

(a)  $5492 \times 98$

(b)  $3082 \times 72$

[4]

(c)  $2304 \div 24$

(d)  $2176 \div 68$

[4]

5. Express in its simplest form.

(a)  $3\frac{5}{6} + 2\frac{9}{10}$

(b)  $5\frac{1}{9} - 2\frac{2}{3}$

[4]

(c)  $\frac{3}{10} \times \frac{5}{6}$

(d)  $\frac{9}{16} \div 6$

[4]

6. Find the equivalent measures

(a)  $4\frac{4}{5}$  min = \_\_\_\_\_ s

[2]

(b)  $7\frac{2}{3}$  days = \_\_\_\_\_ h

[2]

(c)  $2\frac{1}{5}$  m = \_\_\_\_\_ cm

[2]

7 Find the equivalent measures. [2]

(a)  $6\frac{1}{3}$  ft = \_\_\_\_\_ in. [2]

(b)  $5\frac{3}{4}$  gal = \_\_\_\_\_ qt [2]

(c)  $3\frac{5}{8}$  lb = \_\_\_\_\_ oz [2]

8. (a) What fraction of \$2 is 75¢? \_\_\_\_\_ [2]

(b) What fraction of 4 lb is 8 oz? \_\_\_\_\_ [2]

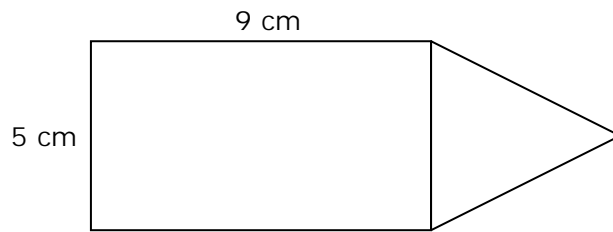
(c) Express 8 months as a fraction of 2 years. \_\_\_\_\_ [2]

9. Express the ratio 16 : 20 in its simplest form. [2]

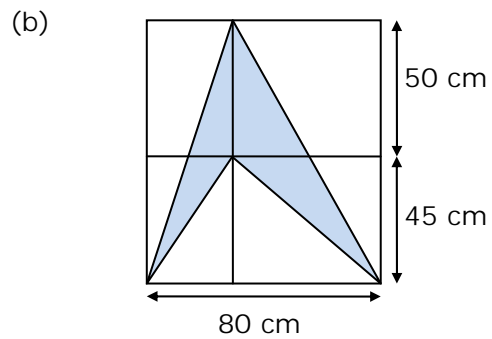
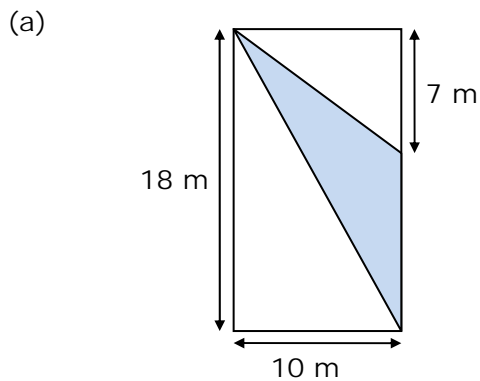
10. Write the missing number. [2]

30 : \_\_\_\_\_ = 6 : 3

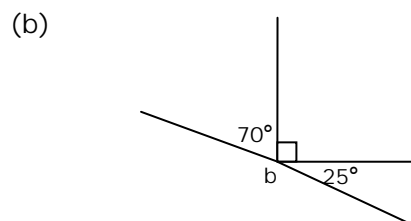
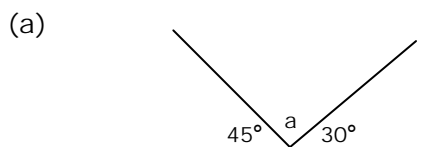
11. The figure is made up of a rectangle and a triangle. Let the base of the triangle be the side against the rectangle. If the ratio of the height of the triangle to the length of the rectangle is 1 : 3, what is the area of the figure? [3]



12. Find the area of the shaded figures. [6]



13. Find the unknown marked angles (without measuring). [4]



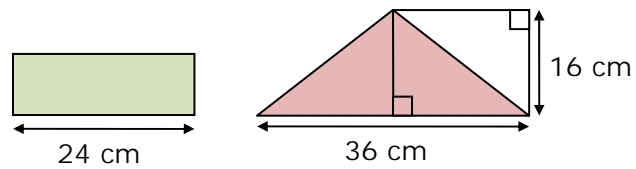
14. A pole, 135 cm long, is painted red, white, and blue in the ratio 3 : 4 : 2. What [4]  
length of the pole is painted white?

15. Cathy spent  $\frac{4}{5}$  of her money while Josie spent  $\frac{1}{2}$  of her money. Both of them had [4]  
the same amount of money left. If Josie had \$35 left, how much did Cathy have  
at first?

16. Peter spent  $\frac{1}{3}$  of his money on a toy car and  $\frac{2}{3}$  of the remainder on a toy boat. [5]  
He had \$6 left. How much money did he spend altogether?

17. A tank is  $\frac{3}{5}$  full with water. If 30 liters more water are needed to fill the tank completely, find the capacity of the tank. [5]

18. The area of the shaded rectangle is the same as the area of the shaded triangle. Find the perimeter of the rectangle. (Drawings are not to scale.) [5]



19. Sam bought 3 shirts and 2 pairs of pants for \$67.30. Each pair of pants costs \$2.40 more than each shirt. What was the cost of 1 pair of pants? [5]

20. Abe, Barry, and Carlos have 256 marbles altogether. The ratio of Abe's marbles to Barry's marbles is 4 : 3. Barry has 14 more marbles than Carlos. How many marbles does Abe have? [5]

## Answer Key

1. (a) 9,643,211  
(b) nine million, six hundred forty-three thousand, two hundred eleven
2. (a) 11,000                      (b) 900                      (c) 35,000
3. (a) 0                              (b) 800                      (c) 10
4. (a) 538,216                      (b) 221,904  
(c) 96                              (d) 32
5. (a)  $6\frac{11}{15}$                       (b)  $2\frac{4}{9}$   
(c)  $\frac{1}{4}$                               (d)  $\frac{3}{32}$
6. (a) 288                              (b) 184                      (c) 220
7. (a) 76                              (b) 23                              (c) 58
8. (a)  $\frac{3}{8}$                               (b)  $\frac{1}{8}$                               (c)  $\frac{1}{3}$
9. 4 : 5
10. 15
11. 52.5 cm<sup>2</sup>
12. (a) 55 m<sup>2</sup>                      (b) 2000 cm<sup>2</sup>
13. (a) 105°                      (b) 175°
14. 60 cm
15. \$175
16. \$21
17. 75 liters
18. 72 cm
19. \$14.90
20. 108

Copyright © 2001 [SingaporeMath.com Inc.] All rights reserved.

This assessment test and answer key may be printed out and used by individuals at no cost. They may not be copied or incorporated into any other document. Please see legal (<http://www.singaporemath.com/terms.asp>) for more information.